

ACCESSORIES FOR SERIES MX



Rapid clamps



Rapid clamps with brackets



Terminal flanges (IN/OUT)



Fixing brackets for regulators



Block for pressure gauge fixing

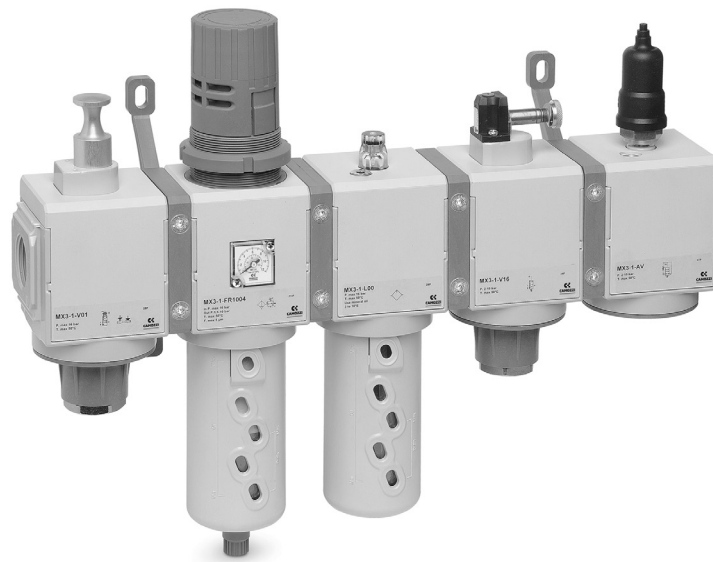


Assembly O-ring



MX built-in pressure gauge

ACCESSORIES FOR SERIES MX



Systems of rapid connections designed to make mounting easier.

Rapid clamp kit Mod. MX2-... and MX3...



The kit MX2-X is supplied with:
1 rapid clamp, 1 O-ring OR 3125 *,
2 exagonal nuts M5, 2 screws M5x69.

The kit MX2-Z is supplied with:
1 rapid clamp, 1 O-ring OR 3125 *,
1 exagonal nut M5, 1 screw M5x69,
1 screw M5x85 for wall fixing.

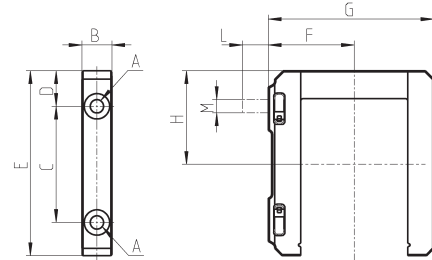
* it can be ordered separately (cod. 160-39-11/19)

The kit MX3-X is supplied with:
1 rapid clamp, 1 O-ring OR 38X2,8 **,
2 square nuts M6, 2 screws M6x75.

The kit MX3-Z is supplied with:
1 rapid clamp, 1 O-ring OR 38X2,8 **,
1 square nut M6, 1 screw M6x75,
1 screw M6x90 for wall fixing.

** it can be ordered separately (OR 38X2,8 NBR)

Materials: technopolymer clamp, NBR O-ring, zinc-plated steel nuts and screws.



See the positioning scheme in the section "Series MX assembled FRL"

DIMENSIONS											
Mod.	A	B	C	D	E	F	G	H	L	M	Notes
MX2-X	5.2	12	46	14	73.5	37.5	70.5	37	-	-	
MX2-Z	5.2	12	46	14	73.5	37.5	70.5	37	14	M5	kit with wall fixing screw
MX3-X	6.2	14	54	16.5	86	40	77	43.5	-	-	
MX3-Z	6.2	14	54	16.5	86	40	77	43.5	13	M6	kit with wall fixing screw

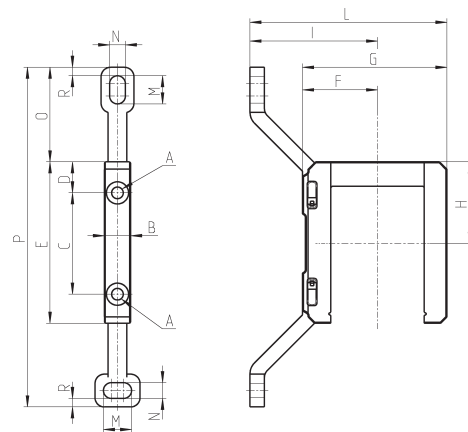
Rapid clamp kit with wall fixing brackets - size 2



The kit MX2-Y is supplied with:
1 wall rapid clamp, 1 O-ring OR 3125 **, 2 exagonal nuts, 2 screws M5x69.

** it can be separately ordered (cod. 160-39-11/19)

Materials: technopolymer clamp, NBR O-ring, zinc-plated steel nuts and screws.



Mod.	A	B	C	D	E	F	G	H	I	L	M	N	O	P	R
MX2-Y	5,2	12	46	14	73,5	32,5	70,5	37	70,5	103	12	6,5	42	152	4

See the positioning scheme in the section "Series MX assembled FRL"

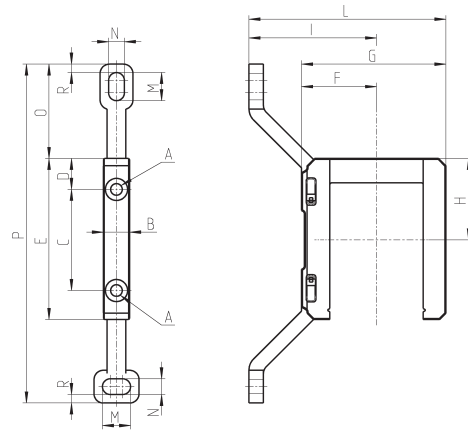
Rapid clamp kit with wall fixing brackets - size 3



The kit MX3-Y is supplied with:
1 wall rapid clamp, 1 O-ring 38X2,8 **,
2 square nuts M6, 2 screws M6x75

** it can be also separately ordered (OR 38X2,8 NBR)

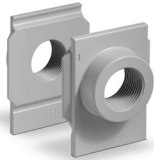
Materials: technopolymer clamp, NBR O-ring, zinc-plated steel nuts and screws.



Mod.	A	B	C	D	E	F	G	H	I	L	M	N	O	P	R
MX3-Y	6,2	14	54	16,5	86	40	77	43,5	68	105	15	8,4	50,5	181	4,5

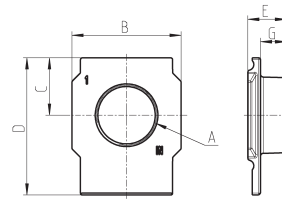
See the positioning scheme in the section "Series MX assembled FRL"

Terminal flanges (IN/OUT)



The kit is supplied with:
- 1 flange INLET side
- 1 flange OUTLET side

Materials: painted aluminium flanges.

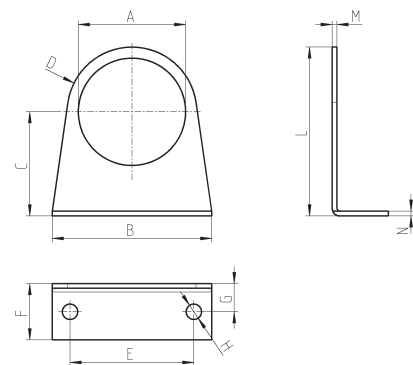


Mod.	A	B	C	D	E	G
MX2-3/8-FL	G3/8	50	26,5	63,5	17	11
MX2-1/2-FL	G1/2	50	26,5	63,5	17	11
MX2-3/4-FL	G3/4	50	26,5	63,5	17	11
MX3-3/4-FL	G3/4	58	30,5	73	20,5	13,5
MX3-1-FL	G1	58	30,5	73	20,5	13,5

Fixing bracket for regulators



The kit is supplied with 1 zinc-plated steel bracket



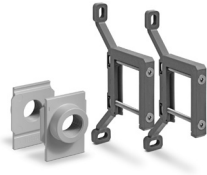
Mod.	A	B	C	D	E	F	G	H	L	M	N
MX2-S	Ø 47,2	73	60,5	R29,5	54	25	15	Ø 6,2	90	2,5	2,5
MX3-S	Ø 57,2	85	55,5	R34,5	66	30	15	Ø 8,2	90	2,5	2,5

Rapid clamps kit + flanges



Mod.	The kit is supplied with:
MX2-3/8-HH	1x MX2-3/8-FL + 2x MX2-X
MX2-1/2-HH	1x MX2-1/2-FL + 2x MX2-X
MX2-3/4-HH	1x MX2-3/4-FL + 2x MX2-X
MX2-3/8-JJ	1x MX2-3/8-FL + 2x MX2-Z
MX2-1/2-JJ	1x MX2-1/2-FL + 2x MX2-Z
MX2-3/4-JJ	1x MX2-3/4-FL + 2x MX2-Z
MX3-3/4-HH	1x MX3-3/4-FL + 2x MX3-X
MX3-1-HH	1x MX3-1-FL + 2x MX3-X
MX3-3/4-JJ	1x MX3-3/4-FL + 2x MX3-Z
MX3-1-JJ	1x MX3-1-FL + 2x MX3-Z

Rapid clamps kit with wall fixing brackets + flanges

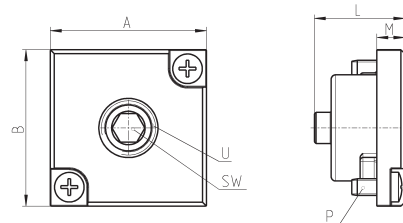


Mod.	The kit is supplied with:
MX2-3/8-KK	1x MX2-3/8-FL + 2x MX2-Y
MX2-1/2-KK	1x MX2-1/2-FL + 2x MX2-Y
MX2-3/4-KK	1x MX2-3/4-FL + 2x MX2-Y
MX3-3/4-KK	1x MX3-3/4-FL + 2x MX3-Y
MX3-1-KK	1x MX3-1-FL + 2x MX3-Y

Block for pressure gauge fixing



The kit is supplied with:
 1 block
 1 grain
 2 screws
 1 seal



DIMENSIONS							
Mod.	A	B	L	M	P	U	SW
MX2-R26/1-P	28	28	16.5	5	M3X7	1/8	5
MX3-R26/1-P	28	28	16.5	5	M3X7	1/4	6

MX built-in pressure gauge



The kit is supplied with:
1 pressure gauge
1 seal
2 screws

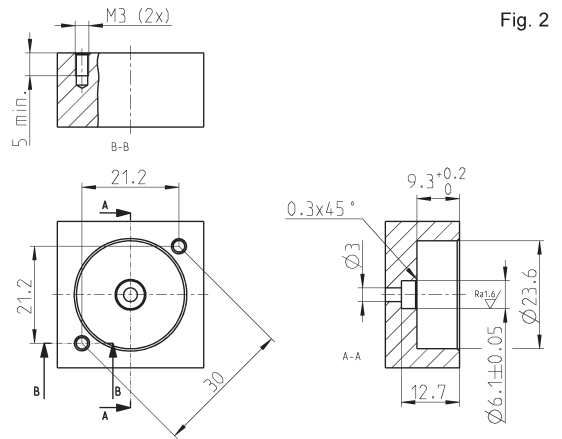
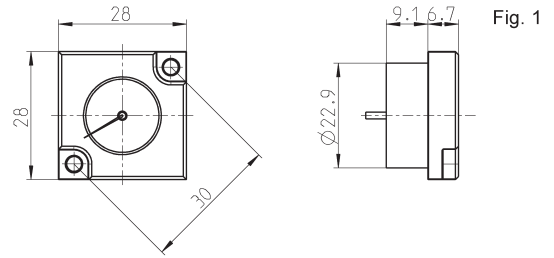
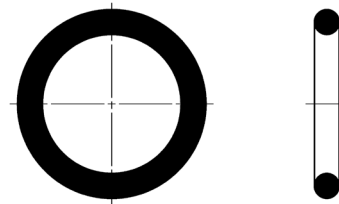


Fig. 1 = pressure gauge
Fig. 2 = seat

Mod.	Range
MX3-R30/W-P	0 ÷ 2.5 bar
MX3-R31/W-P	0 ÷ 6 bar
MX3-R32/W-P	0 ÷ 10 bar
MX3-R33/W-P	0 ÷ 12 bar

O-ring for assembling



Mod.	O-ring	For assembly
160-39-11/19	OR 3125	MX2
OR 38X2,8 NBR	OR 38X2,8	MX3