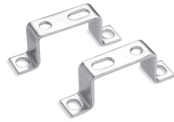


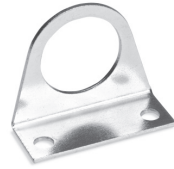
ACCESSORIES FOR SERIES MC



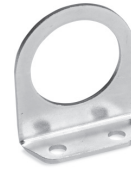
Terminal flanges
(kit A)



Mounting brackets
(kit B)



Mounting bracket
Mod. C114-ST



Mounting bracket
Mod. C114-ST/1



Mounting bracket
Mod. C114-ST/2



Mounting bracket
Mod. C238-ST/1



Mounting bracket
Mod. MX2-S



Tie-rods for assembling
(kit C)



Tie-rods for assembling
(kit D)



Screws for assembling
(kit E)



Screws for assembling
(kit F)



Screws for assembling
(kit G)



Assembly O-ring

ACCESSORIES FOR SERIES MC



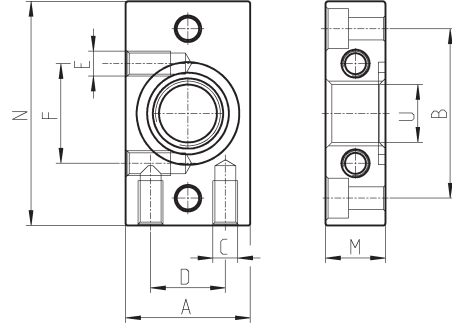
Systems of rapid connections designed to make mounting easier.

Terminal flanges (kit A)



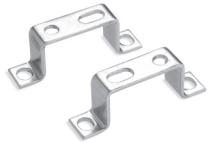
The kit MC104-FL is supplied with: 1x left flange; 1x right flange; 4x screws M4x14; 2x O-Ring 2068.
Each of the kits MC202-FL and MC238-FL is supplied with: 1x left flange; 1x right flange; 4x screws M5x14; 2x O-Ring 3100.

Materials: painted aluminium flanges, zinc-plated steel screws and NBR O-ring.



DIMENSIONS										
Mod.	A	B	C	D	E	F	N	M	U	size
MC104-FL	25	34	M5	15	M5	20	45	12	G1/4	1
MC238-FL	35	44,5	M5	20	-	-	60	14	G3/8	2
MC202-FL	35	44,5	M5	20	-	-	60	14	G1/2	2

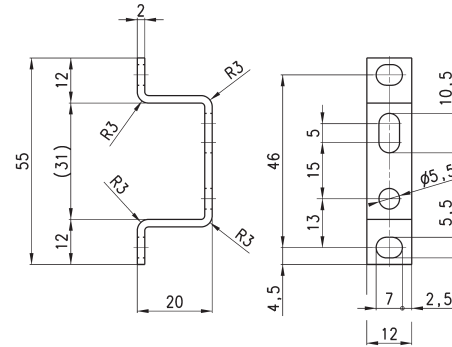
Mounting bracket for (kit B)



Mounting bracket for terminals 1/4, 3/8, 1/2.

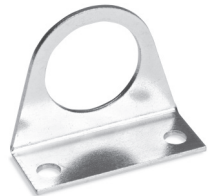
The kit MC104-ST is supplied with:
- 2x terminal brackets
- 4x screws M5x10

Materials: zinc-plated steel brackets and screws.



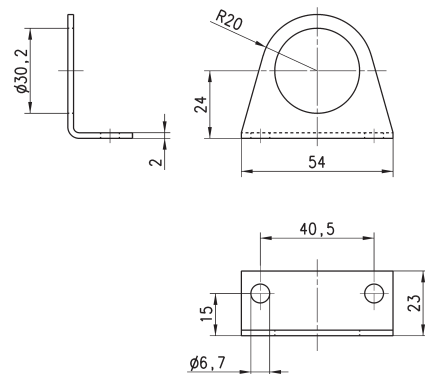
DIMENSIONS
Mod.
MC104-ST

Mounting bracket Mod. C114-ST



For regulators and filter-regulators (G1/4 - G1/8)

The kit is supplied with:
1x zinc-plated steel bracket.



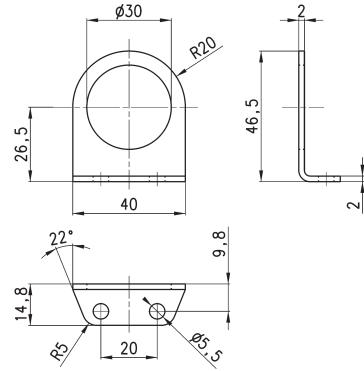
Mod.
C114-ST

Mounting bracket Mod. C114-ST/1



For regulators and filter-regulators (G1/4 - G1/8)

The kit is supplied with 1 zinc-plated steel bracket.



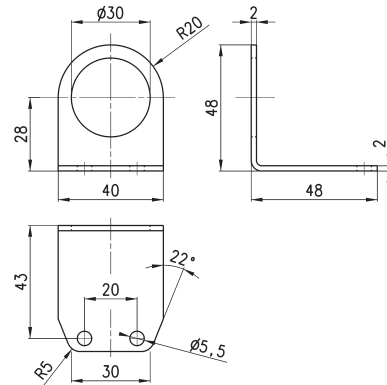
Mod.
C114-ST/1

Mounting bracket Mod. C114-ST/2



For regulators and filter-regulators (G1/4 - G1/8)

The kit is supplied with 1 zinc-plated steel bracket.



Mod.
C114-ST/2

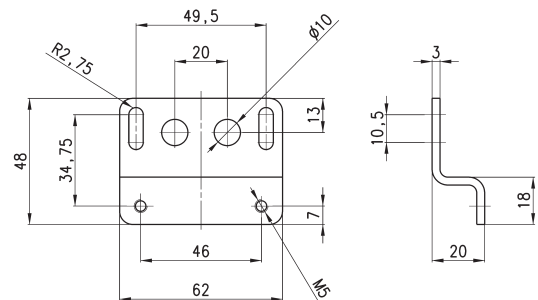
Mounting bracket Mod. C238-ST/1



for MC238 and MC202

The kit is supplied with:
1 bracket; 2 screws M5X65

Materials: zinc-plated steel bracket and screws.



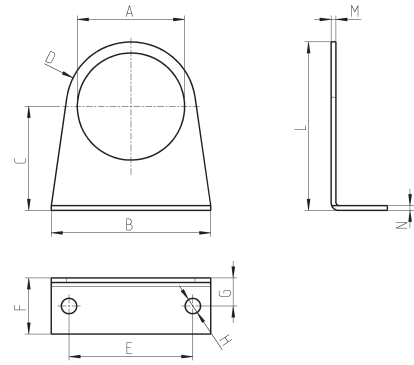
Mod.
C238-ST/1

Fixing bracket Mod. MX2-S



for regulators Mod. MC238 and MC202

The kit is supplied with 1 zinc-plated steel bracket



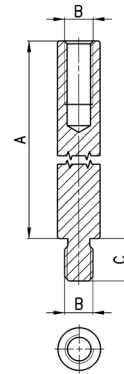
Mod.	A	B	C	D	E	F	G	H	L	M	N
MX2-S	∅ 47,2	73	60,5	R29,5	54	25	15	∅ 6,2	90	2,5	2,5

Tie-rods for assembling (kit C)



The kit MC1-TMF is supplied with:
2 male/female tie-rods; 1 O-ring 2068.
The kit MC2-TMF is supplied with:
2 male/female tie-rods; 1 O-ring 3100.

Materials: nickel-plated steel tie-rods and NBR O-ring.



Mod.	A	B	C
MC1-TMF	45	M4	6
MC2-TMF	62	M5	6

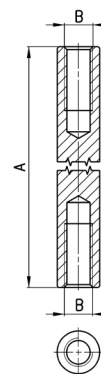
Tie-rods for assembling (kit D)



The kit MC1-TFF is supplied with 2 female tie-rods.

The kit MC2-TFF is supplied with 2 female tie-rods.

Materials: nickel-plated steel tie-rods.



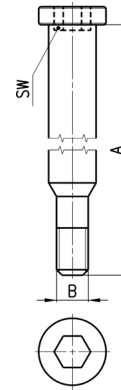
DIMENSIONS			
Mod.	A	B	size
MC1-TFF	44	M4	1
MC2-TFF	61	M5	2

Screws for assembling (kit E)



The kit MC1-VM is supplied with:
2 male screws; 1 O-ring 2068.
The kit MC2-VM is supplied with:
2 male screws; 1 O-ring 3100

Materials: zinc-plated steel screws and NBR O-ring.



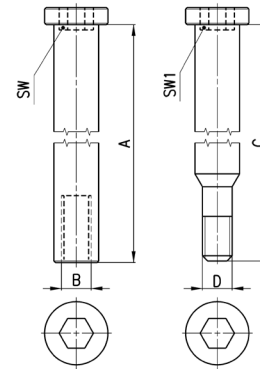
Mod.	A	B	SW	size
MC1-VM	48,5	M4	3	1
MC2-VM	65,5	M5	4	2

Screws for assembling (kit F)



The kit is supplied with: 2 male screws; 2 female screws; 1 O-ring (OR 2068 for MC1-VMF; OR 3100 for MC2-VMF).

Materials: zinc-plated steel male screws, nickel-plated steel female screws and NBR O-ring.



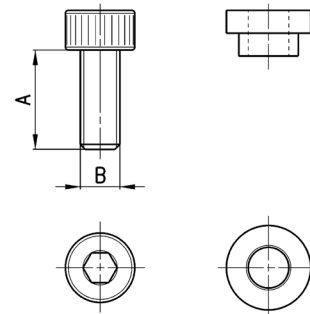
DIMENSIONS							
Mod.	A	B	C	D	SW	SW1	size
MC1-VMF	42	M4	48,5	M4	3	3	1
MC2-VMF	59	M5	68,5	M5	4	4	2

Screws (kit G) to assemble 2 bodies type "M"



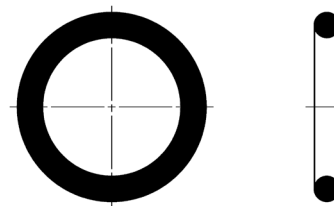
The kit MC1-VMD is supplied with:
4 screws M4X10; 4 spacers; 2 O-ring 2068.
The kit MC2-VMD is supplied with:
4 screws M5X12; 4 spacers; 2 O-ring 3100.

Materials: zinc-plated steel screws, brass spacers and NBR O-ring.



Mod.	A	B	size
MC1-VMD	10	M4	1 *
MC2-VMD	12	M5	2 *

O-ring for assembling



Mod.	O-ring	For assembly
458-33/1	OR 2068	MC104
80-26-11/4T	OR 3100	MC238, MC202

* spare parts only