

Series N lubricators

New version

Ports G1/8, G1/4



» Available with: transparent PA12 bowl or nickel-plated brass bowl for the small version (N1)

Series N lubricators are available with G1/4 and G1/8 ports. The special type of design allows a vast range of applications in relation to the amount of atomized oil and the air consumed.

The body is made of brass, whilst the bowl can be in transparent PA12 or in nickel-plated brass.

The version with metal bowl is particularly suitable for applications subject to impacts or in the presence of aggressive agents that could damage the PA12 bowl.

GENERAL DATA

Construction	modular, compact
Materials	brass, transparent PA12 or nickel-plated brass, NBR
Ports	G1/8 - G1/4
Oil capacity	26 cm ³ (bowl size = 1) 37 cm ³ (bowl size = 2)
Weight	0.240 kg
Mounting	vertical, inline
Operating temperature	-5°C ÷ 50°C at 10 bar (with the dew point of the fluid lower than 2°C at the min. working temperature)
Oil refilling	without pressure
Oil for lubricator	use ISO VG32 oils. Once applied, the lubrication should never be interrupted
Operating pressure	1 ÷ 16 bar
Nominal flow	see FLOW DIAGRAMS on the following pages
Min. air consumption for lubrication	at 1 bar = 7.5 NL/min at 6 bar = 11 NL/min
Fluid	compressed air

CODING EXAMPLE

N	2	04	-	L	00	-	
----------	----------	-----------	----------	----------	-----------	----------	--

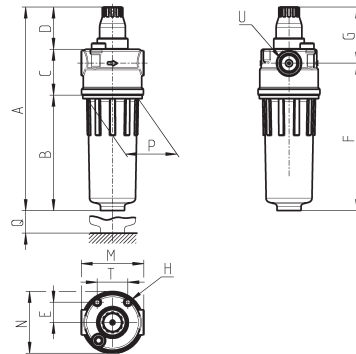
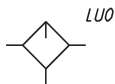
N	SERIES
2	SIZE: 1 = small bowl (26 cm ³) 2 = normal bowl (37 cm ³)
04	PORTS: 08 = G1/8 04 = G1/4
L	L = LUBRICATOR
00	DESIGN TYPE: 00 = atomized oil
	BOWL MATERIAL: = transparent PA12 (standard) TM = nickel-plated brass (only in the small size)

SERIES N LUBRICATORS

Lubricators Series N



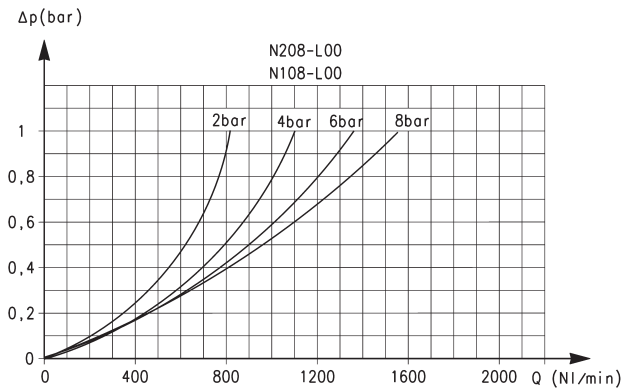
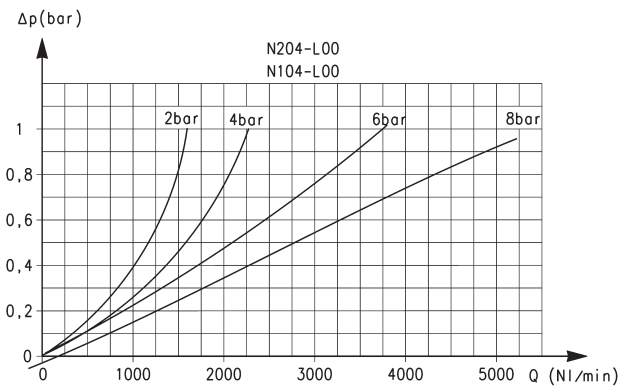
LU0 = Lubricator



DIMENSIONS															
Mod.	A	B	C	D	E	F	G	H	M	N	P	Q	T	U	
N108-L00	122.5	59	33	30.5	14.5	82	40.5	M5	45	44.5	38	46.5	22	G1/8	
N104-L00	122.5	59	33	30.5	14.5	82	40.5	M5	45	44.5	38	46.5	22	G1/4	
N208-L00	146.5	83	33	30.5	14.5	106	40.5	M5	45	44.5	38	46.5	22	G1/8	
N204-L00	146.5	83	33	30.5	14.5	106	40.5	M5	45	44.5	38	46.5	22	G1/4	

FLOW DIAGRAMS

SERIES N LUBRICATORS



Flow diagrams for models: N204-L00 and N104-L00

ΔP = Pressure drop (bar)
Q = Flow (NL/min)

Flow diagrams for models: N208-L00 and N108-L00

ΔP = Pressure drop (bar)
Q = Flow (NL/min)