

Series T pressure microregulators

Ports G1/8 and G1/4

SERIES T PRESSURE MICROREGULATORS



- » Extremely lightweight
- » Compact
- » In-line or console mounting

Series T pressure regulators are available with G1/8 and G1/4 brass connections. A self-relieving piston has been incorporated into the design to allow decreasing adjustments. Non-relieving versions are also available.

All models are equipped with a by-pass valve which is useful when a regulator should be inserted between the valve and cylinder (or capacity) without any negative influence on the exhaust.

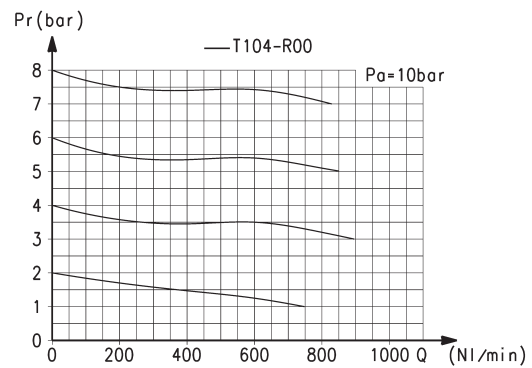
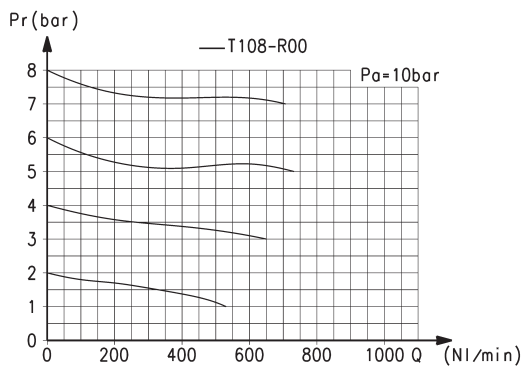
GENERAL DATA

Construction	piston
Materials	technopolymer body and piston, stainless steel spring, brass inserts, NBR O-ring and poppet
Ports	G1/8 - G1/4
Weight	g 95
Pressure gauge ports	G1/8
Mounting	in-line or panel mounting (in any position)
Operating temperature	-5°C ÷ 50°C (with the dew point of the fluid lower than 2°C at the min. working temperature)
Inlet pressure	0 ÷ 12 bar
Outlet pressure	0.5 ÷ 10 bar (standard) 0 ÷ 2 bar 0 ÷ 4 bar 0.5 ÷ 7 bar
Nominal flow	see FLOW DIAGRAMS on the following pages
Secondary pressure relieving	with relieving (standard) without relieving (all regulators are provided with high relief flow VS function)
fluid	compressed air

CODING EXAMPLE

T	1	08	-	R	0	0	2
T	SERIES						
1	SIZE						
08	PORTS: 08 = G1/8		04 = G1/4				
R	REGULATOR						
0	OPERATING PRESSURE: 0 = 0,5 ÷ 10 1 = 0 ÷ 4		2 = 0 ÷ 2 7 = 0 ÷ 7 (standard)				
0	DESIGN TYPE: 0 = self-relieving; 1 = non relieving						
2	MANOMÈTRES: ** = sans manomètre (standard) 1 = avec manomètre 0-2,5, avec pression de travail 0÷2 bar 2 = with pressure gauge 0-6, with working pressure 0÷4 bar		3 = with pressure gauge 0-10, with working pressure 0,5÷7 bar 4 = with pressure gauge 0-12, with working pressure 0,5÷10 bar			** les manomètres sont fournis démontage manomètres mod. M043-P ..	

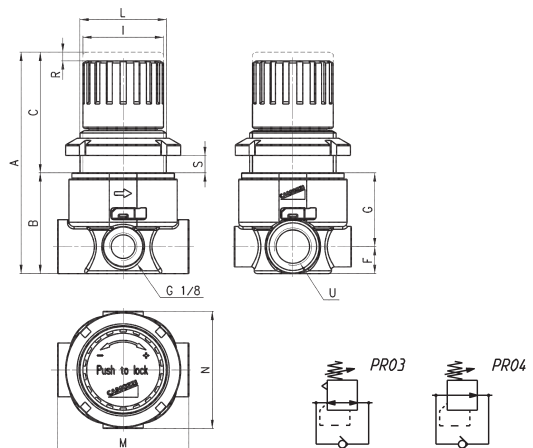
FLOW DIAGRAMS



Flow diagram for model: T108-R00
Pa = Inlet pressure (bar)
Pr = Regulated pressure (bar)
Q = Flow (NI/min)

Flow diagram for model: T104-R00
Pa = Inlet pressure (bar)
Pr = Regulated pressure (bar)
Q = Flow (NI/min)

Series T pressure microregulator



DIMENSIONS											
Mod.	A	B	C	F	G	I	L	M	N	R	U
T108-R00	77	35	42	9.5	25.5	28	M30X1.5	46	41	3	G1/8
T104-R00	77	35	42	9.5	25.5	28	M30X1.5	46	41	3	G1/4

PR03 = regulator with relieving and by-pass valve

PR04 = regulator without relieving and with by-pass valve